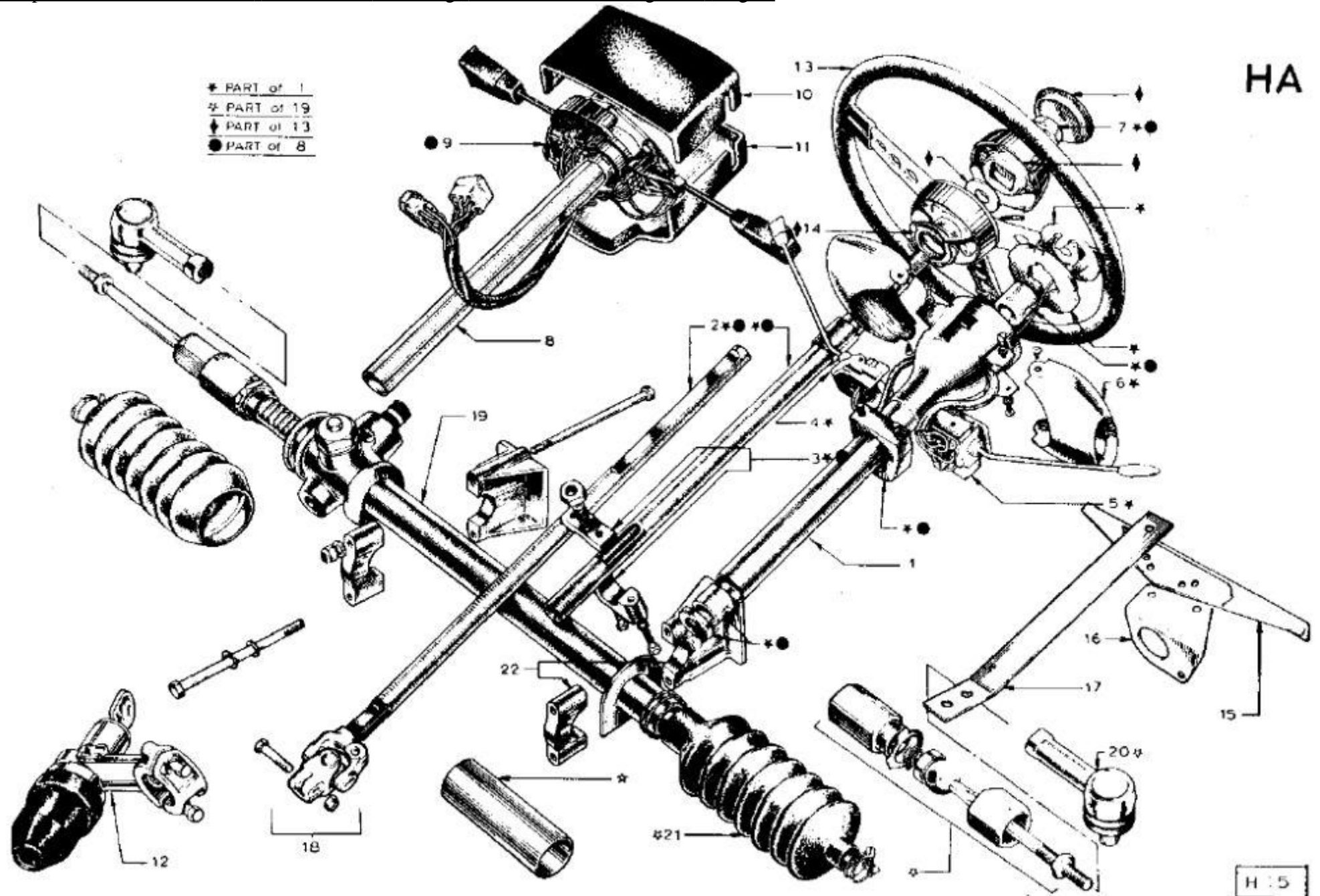


HA

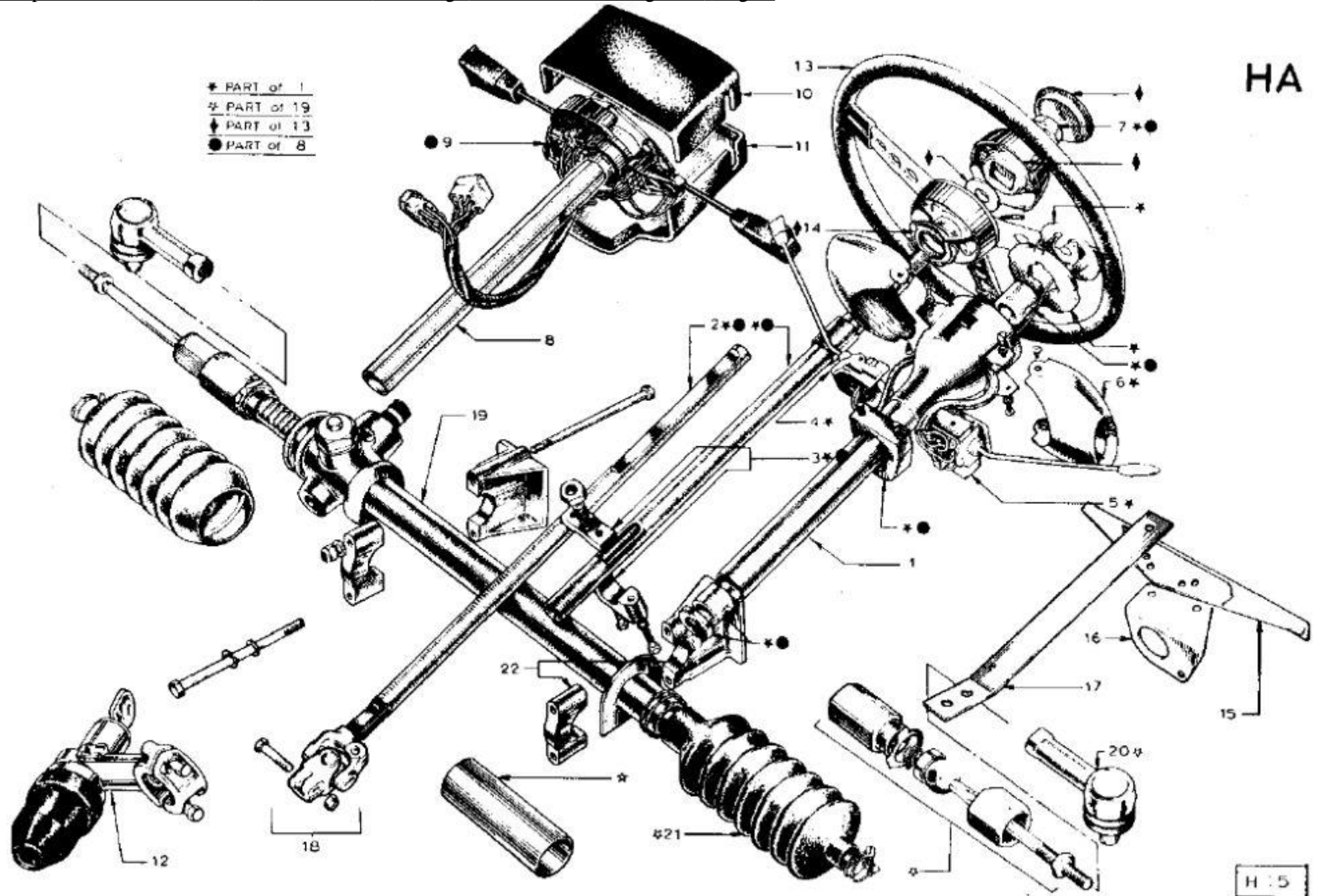


H:5

Lotus Europa TC/TCS Parts Manual - Section HA - Steering - Column and Steering Unit - Page 2

Item	Lotus #	S1	S1A/B	S2	S2 Fed	TC	TC Fed	TCS	TCS F	LHD	RHD	Description	Change Point Notes Bulletin Reference
1	X054H0730W					1		1		+		Assembly - Column	
1	X054H0731W					1	1	1			+	Assembly - Column - Comprising:	
2	X046H6003Z					1	1	1	1			Column - Lower Inner - Assembly - Column	
3	X036H6038Z					1	1	1	1			Clamp - Impact	
4	X036H6078Z					1	1	1		+	+	Switch - Indicators	
5	X046M6183Z					1	1	1		+	+	Switch - Dip and Flasher - Replaced by	
5	A036H6075Z					1		1		+		Switch - Dip and Flasher	
5	A036H6076Z					1	1	1			+	Switch - Dip and Flasher	
6	X036H6033Z					2	2	2		+	+	Escutcheon	
6	X036H6066Z					1	1	1			+	Transfer - Lamp	
6	X036H6067Z					1		1		+		Transfer - Lamp	
6	X036H6068Z					1	1	1			+	Transfer - Indicators	
6	X036H6069Z					1		1		+		Transfer - Indicators	
6	A036H6077Z					2	2	2		+	+	Screw - Excutcheon	
7	X036H6035Z					1	1	1	1			Nut - Steering Wheel Securing	
8	A074H0731W								1			Assembly - Column - Comprising:	
2	X046H6003Z								1			Column - Lower Inner - Assembly - Column	
3	X036H6038Z								1			Clamp - Impact	
7	X036H6035Z								1			Nut - Steering Wheel Securing	
9	074M6019W								1			Assembly - Steering Column Switch	
10	A074B0935Z								1			Escutcheon - Upper	
11	A074B0937Z								1			Escutcheon - Lower	
12	A036H6065Z					1		1		+	+	Lock - Steering Column	
12	A036H6064Z						1		1			Lock - Steering Column	
13	A036H6006Z					1	1	1		+	+	Wheel - Steering	
13	A036H6007Z								1			Wheel - Steering	
14	X036H6034Z					1	1	1	1			Slip Ring - Steering Wheel	
15	A054H0031Z					1	1	1	1			Bracket - Support	
15	303C					2	2	2	2			Screw - Securing - Bracket - Support	
15	102					2	2	2	2			Washer - Bracket - Support	
16	A054H0067Z					1	1	1	1		+	Bracket - Anti-rotation	
16	A054H0066Z					1		1		+		Bracket - Anti-rotation	
17	A074H0094Z					1		1		+		Bracket - Impact	

HA



H:5

Lotus Europa TC/TCS Parts Manual - Section HA - Steering - Column and Steering Unit - Page 4

Item	Lotus #	S1	S1A/B	S2	S2 Fed	TC	TC Fed	TCS	TCS F	LHD	RHD	Description	Change Point Notes Bulletin Reference
18	A073H0095Z					1		1		+		Bracket - Impact	
18	A074H6000Z					1	1	1	1		+	Universal joint	
19	B074H0703W					1	1	1	1			Assembly - Steering Rack and Pinion	
19	B074H0704W					1		1		+		Assembly - Steering Rack and Pinion	
20	A074H0088Z					2	2	2	2			Ball Joint - Track Rod (Tie Rod End)	
21	X036H6027Z					2	2	2	2			Bellows - Steering Rack	
22	X046H0015Y					2	2	2	2			Bracket - Rack and Pinion Mounting	
22	6C					4	4	4	4			Bolt - Bracket - Rack and Pinion Mounting	
22	110					4	4	4	4			Washer - Bracket - Rack and Pinion Mounting	
22	208					4	4	4	4			Nut - Bracket - Rack and Pinion Mounting	