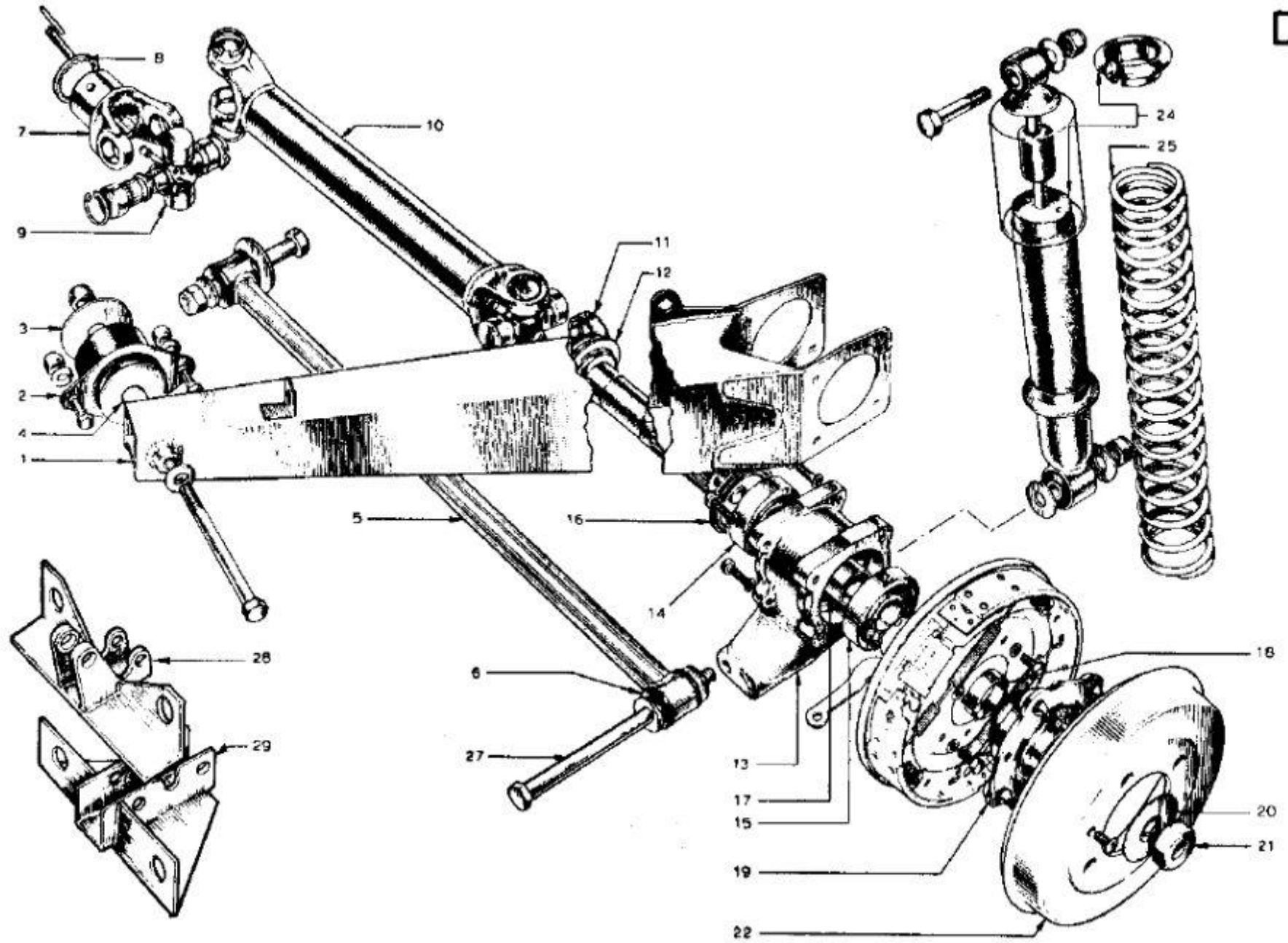


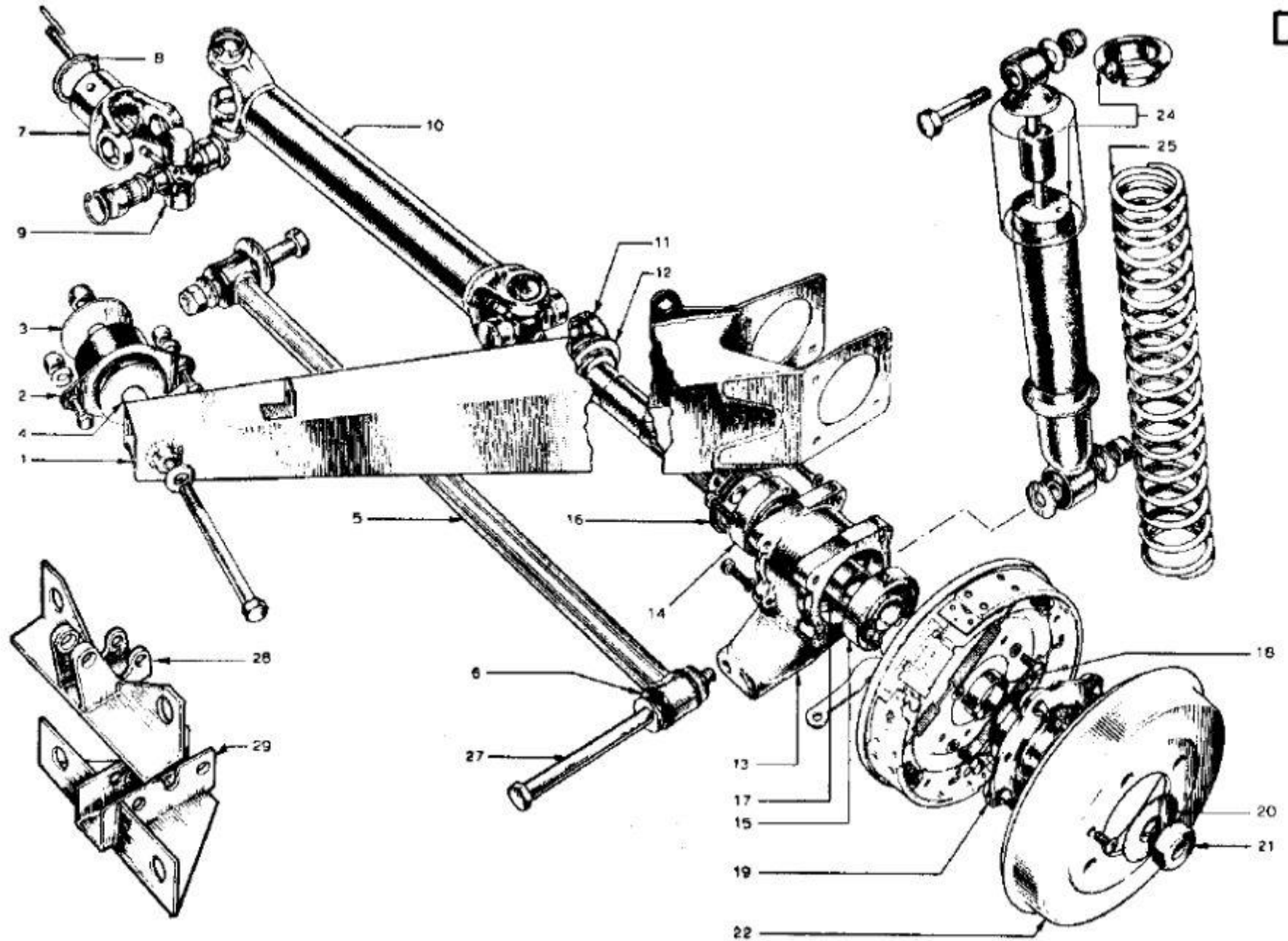
DA



Lotus Europa TC/TCS Parts Manual - Section DA - Suspension - Rear - Page 2

| Item | Lotus # | S1 | S1A/B | S2 | S2 Fed | TC | TC Fed | TCS | TCS F | LHD | RHD | Description | Change Point Notes Bulletin Reference |
|------|------------|----|-------|----|--------|----|--------|-----|-------|-----|-----|---|--|
| 1 | A074D0197Z | | | | | 1 | 1 | | | + | + | Arm - Radius L/H | |
| 1 | A074D0217Z | | | | | | | 1 | 1 | + | + | Arm - Radius L/H | |
| 1 | A074D0198Z | | | | | 1 | 1 | | | + | + | Arm - Radius R/H | |
| 1 | A074D0216Z | | | | | | | 1 | 1 | + | + | Arm - Radius R/H | |
| 2 | X046D6000Z | | | | | 2 | 2 | 2 | 2 | | | Resilient Mounting (Metalastic) | |
| 2 | 36A | | | | | 2 | 2 | 2 | 2 | | | Bolt - Mounting to Arm | |
| 2 | 128 | | | | | 2 | 2 | 2 | 2 | | | Washer - Mounting to Arm | |
| 3 | A07W3212 | | | | | 2 | 2 | 2 | 2 | | | Washer - Mounting to Arm | |
| 3 | 216 | | | | | 2 | 2 | 2 | 2 | | | Nut - Mounting to Arm | |
| 3 | 13 | | | | | 4 | 4 | 4 | 4 | | | Bolt - Mounting to Chassis | |
| 3 | 119 | | | | | 4 | 4 | 4 | 4 | | | Washer - Mounting to Chassis | |
| 3 | 211 | | | | | 4 | 4 | 4 | 4 | | | Nut - Mounting to Chassis | |
| 4 | A074D0205Z | | | | | | | | | | | Shim - Radius Arm 1/8 ins. (As Required) | |
| 4 | A074D0206Z | | | | | | | | | | | Shim - Radius Arm 1/16 ins. (As Required) | |
| 5 | B074D0195Z | | | | | 2 | 2 | 2 | 2 | | | Link - Lower | |
| 6 | A074D6002Z | | | | | 4 | 4 | 4 | 4 | | | Bush - Lower Link | |
| 6 | 37 | | | | | 2 | 2 | 2 | 2 | | | Bolt - Lower Link to Gearbox | |
| 6 | 128F | | | | | 4 | 4 | 4 | 4 | | | Washer - Lower Link to Gearbox | |
| 6 | 219 | | | | | 2 | 2 | 2 | 2 | | | Nut - Lower Link to Gearbox | |
| 6 | A074D0756W | | | | | 2 | 2 | | | + | + | Assembly - Drive Shaft (Use with Type 336 Gearbox) | |
| 6 | A074D0749W | | | | | 2 | 2 | 2 | 2 | | | Assembly - Drive Shaft (Use with Type 352/365 Gearboxes) | |
| 7 | A074D6006Z | | | | | 2 | 2 | | | + | + | Yoke (For A074D0756W) | |
| 7 | A074D6010Z | | | | | 2 | 2 | 2 | 2 | | | Yoke (For A074D0749W) | |
| 9 | A074D6008Z | | | | | 4 | 4 | 4 | 4 | | | Universal Joint (For A074D0756W and A074D0749W) | |
| 10 | A074D6004Z | | | | | 2 | 2 | 2 | 2 | | | Shaft - Inboard Drive (For A074D0756W and A074D0749W) | |
| 11 | A074D6005Z | | | | | 2 | 2 | 2 | 2 | | | Shaft - Outboard Drive (For A074D0756W and A074D0749W) (Rear Stub Axle) | |
| 12 | A074D0196Z | | | | | 2 | 2 | 2 | 2 | | | Flinger (For A074D0756W and A074D0749W) | |
| 8 | X046R0022Z | | | | | | | | | | | Spacer Ring (0.405 ins. Undersize) (As Required) | |
| 8 | X046R0023Z | | | | | | | | | | | Spacer Ring (0.410 ins. Undersize) (As Required) | |
| 8 | X046R0024Z | | | | | | | | | | | Spacer Ring (1st Oversize) (As Required) | |
| 8 | X046R0025Z | | | | | | | | | | | Spacer Ring (2nd Oversize 0.420 ins) (As Required) | |

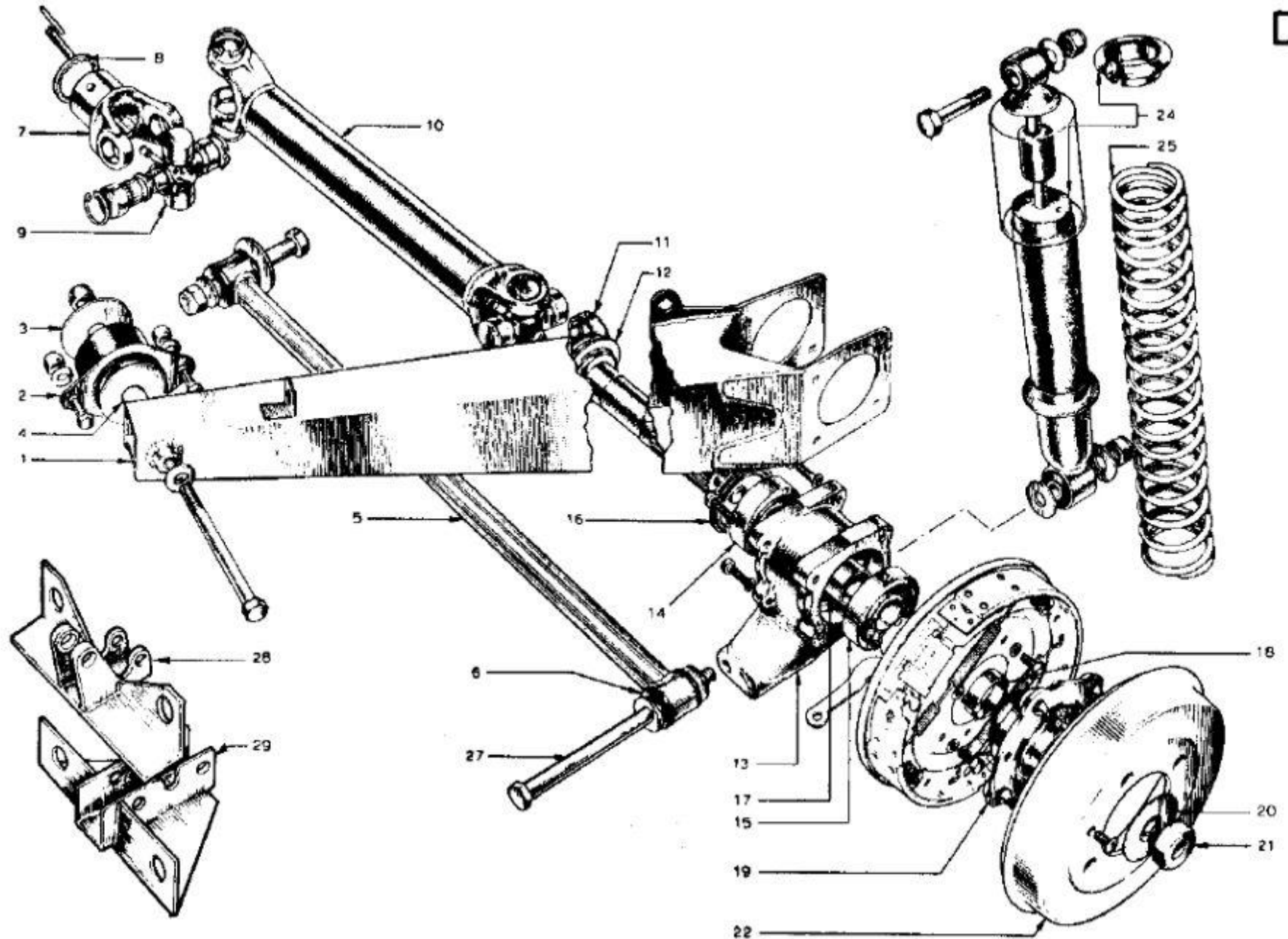
DA



Lotus Europa TC/TCS Parts Manual - Section DA - Suspension - Rear - Page 4

| Item | Lotus # | S1 | S1A/B | S2 | S2 Fed | TC | TC Fed | TCS | TCS F | LHD | RHD | Description | Change Point Notes Bulletin Reference |
|------|------------|----|-------|----|--------|----|--------|-----|-------|-----|-----|--|---|
| 8 | X046R0026Z | | | | | | | | | | | Spacer Ring (3rd Oversize) (As Required) | |
| 8 | A054D0187Z | | | | | | | | | | | Shim (0.005 ins) (As Required) | |
| 8 | A054D0188Z | | | | | | | | | | | Shim (0.015 ins) (As Required) | |
| 8 | X046R6000Z | | | | | 2 | 2 | | | | | Tension Pin - Outer - Dive Shaft to Gearbox | |
| 8 | X046R6001Z | | | | | 2 | 2 | | | | | Tension Pin - Inner - Drive Shaft to Final Drive | |
| 8 | A074F6013Z | | | | | 2 | 2 | 2 | 2 | | | Pin - Drive Shaft to Gearbox | Use on A074D0749W) |
| 13 | B074D0193Z | | | | | 1 | 1 | | | + | + | Housing - Wheel Bearing L/H | |
| 13 | E074D0193Z | | | | | | | 1 | 1 | + | + | Housing - Wheel Bearing - R/H | |
| 13 | B074D0194Z | | | | | 1 | 1 | | | + | + | Housing - Wheel Bearing - R/H | |
| 13 | E074D0194Z | | | | | | | 1 | 1 | + | + | Housing - Wheel Bearing - R/H | |
| 13 | 10 | | | | | 8 | 8 | 8 | 8 | | | Setscrew - Attaching - Housing - Wheel Bearing | |
| 13 | 116 | | | | | 8 | 8 | 8 | 8 | | | Washer - Attaching - Housing - Wheel Bearing | |
| 14 | A074D6001Z | | | | | 2 | 2 | | | + | + | Wheel Bearing Rear Inner | |
| 14 | X036D6017Z | | | | | | | 2 | 2 | + | + | Wheel Bearing Rear Inner | |
| 15 | X036D6017Z | | | | | 2 | 2 | 2 | 2 | | | Wheel Bearing Rear Outer | |
| 16 | A074D6000Z | | | | | 2 | 2 | | | + | + | Seal - Wheel Bearing | |
| 16 | A074D6009Z | | | | | | | 2 | 2 | + | + | Seal - Wheel Bearing | |
| 17 | X046D0148Z | | | | | 2 | 2 | | | + | + | Spacer - Wheel Bearing to Wheel Bearing | |
| 17 | A074D0215Z | | | | | | | 2 | 2 | + | + | Spacer - Wheel Bearing to Wheel Bearing | |
| 18 | A074D0208Z | | | | | 2 | 2 | 2 | 2 | | | Spacer - Hub | |
| 19 | A046D0007Y | | | | | 2 | 2 | | | + | + | Hub | |
| 19 | A074D0214Y | | | | | | | 2 | 2 | + | + | Hub | |
| 20 | X046D6006Z | | | | | 2 | 2 | 2 | 2 | | | Washer - Hub Retaining | |
| 21 | X046D6007Z | | | | | 2 | 2 | 2 | 2 | | | Hub Retaining Nut | |
| 22 | X046J6023Z | | | | | 2 | 2 | | | + | + | Brake Drum | |
| 22 | A074J6036Z | | | | | | | 2 | 2 | + | + | Brake Drum | |
| 22 | KUFS0408 | | | | | 1 | 1 | 1 | 1 | | | Brake Drum to Hub Attaching Screw | |
| 22 | X036D6002Z | | | | | 8 | 8 | 8 | 8 | | | Wheel Stud | Thread: 3/8-24, Knurl Dia.: .519", Length: 1.237", Shoulder Length: .455" |
| 22 | D074D0757W | | | | | 2 | 2 | 2 | 2 | | | Assembly - Damper/Spring | |
| 24 | A074D6007W | | | | | 2 | 2 | 2 | 2 | | | Damper Assembly - Assembly - Damper/Spring | |
| 25 | B026C0010A | | | | | 2 | 2 | 2 | 2 | | | Spring - Assembly - Damper/Spring | |
| 27 | A074D0209Z | | | | | 2 | 2 | 2 | 2 | | | Bolt - Damper/Lower Link to Housing | |

DA



Lotus Europa TC/TCS Parts Manual - Section DA - Suspension - Rear - Page 6

| Item | Lotus # | S1 | S1A/B | S2 | S2 Fed | TC | TC Fed | TCS | TCS F | LHD | RHD | Description | Change Point Notes Bulletin Reference |
|------|------------|----|-------|----|--------|----|--------|-----|-------|-----|-----|---|---|
| 27 | 129 | | | | | 4 | 4 | 4 | 4 | | | Washer - Damper/Lower Link to Housing | |
| 27 | 12BF | | | | | 4 | 4 | 4 | 4 | | | Washer - Damper/Lower Link to Housing | |
| 27 | 219 | | | | | 2 | 2 | 2 | 2 | | | Nut - Damper/Lower Link to Housing | |
| 27 | 37 | | | | | 2 | 2 | 2 | 2 | | | Bolt - Damper to Cross Beam | |
| 27 | 129 | | | | | 2 | 2 | 2 | 2 | | | Washer - Damper to Cross Beam | |
| 27 | 219 | | | | | 2 | 2 | 2 | 2 | | | Nut - Damper to Cross Beam | |
| 28 | C074A0721W | | | | | 1 | 1 | 1 | 1 | | | Mounting - Lower Link to Type 352/365 Gearbox | |
| 29 | B074A0716W | | | | | 1 | 1 | | | + | + | Mounting - Lower Link to Type 336 Gearbox | |