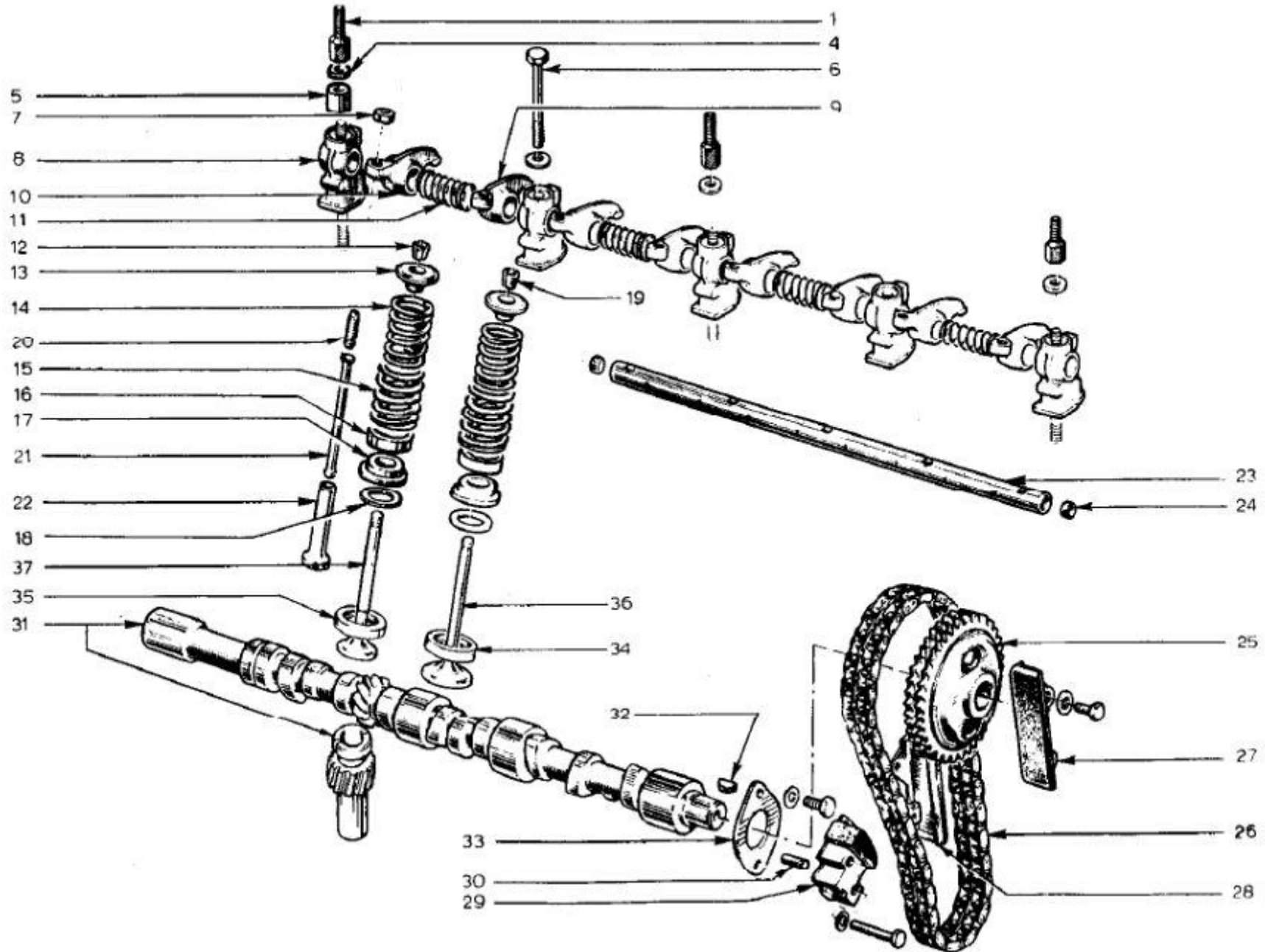


Lotus Europa S1/S2 Parts Manual - Section EE - Engine - Cam and Valves - Page 2

Item	Lotus #	S1	S1A/B	S2	S2 Fed	TC	TC Fed	TCS	TCS F	LHD	RHD	Description	Change Point Notes Bulletin Reference
1	046E6124	3	3	3	3							Rocker Cover Retaining Stud	
4	046E6125	3	3	3	3							Rocker Support Pillar Washer	
5	046E6103	2	2	2	2							Bush	
6	046E6126	2	2	2	2							Rocker Support Pillar Bolt	
7	046E6104	8	8	8	8							Tappet Lock Nut	
8	046E6105	5	5	5	5							Rocker Support Pillar	
9	046E6127	4	4	4	4							Inlet Rocker Arm	
10	046E6106	4	4	4	4							Exhaust Rocker Arm	
11	046E6107	4	4	4	4							Rocker Shaft Spring	
12	046E6108	8	8	8	8							Exhaust Valve Collette	
13	046E6109	8	8	8	8							Valve Spring Retainer	
14	046E6110	8	8	8	8							Inner Valve Spring	
15	046E6112	8	8	8	8							Outer Valve Spring	
16	046E6113	8	8	8	8							Valve Spring Spacer	
17	046E6114	8	8	8	8							Valve Spring Seat	
18	046E6118	8	8	8	8							Valve Spring Seat Washer	
19	046E6129	8	8	8	8							Inelt Valve Collette	
20	046E6111	8	8	8	8							Tappet Adjusting Screw	
21	046E6115	8	8	8	8							Push Rod	
22	046E6116	8	8	8								Tappet Block 12.00 mm.	Up to Eng. No. 1128
22	A046E6116	8	8	8								Tappet Block 12.00 mm. (697-04)	From Eng. No. 1129
22	A046E6116				8							Tappet Block 12.00 mm. (821-30)	From Eng. No. 0001
22	046E6117	8	8	8								Tappet Block 12.20 mm.	Up to Eng. No. 1128
22	046E6464	8	8	8								Tappet Block 12.20 mm. (697-04)	From Eng. No. 1129
22	046E6464				8							Tappet Block 12.20 mm. (821-30)	From Eng. No. 0001
23	046E6130	1	1	1	1							Rocker Shaft	
24	046E6131	2	2	2	2							Rocker Shaft Plug	
25	046E6134	1	1	1	1							Camshaft Sprocket	
26	046E6137	1	1	1	1							Timing Chain	
27	046E6136	2										Chain Guide	Up to Eng. No. 0033
27	046E6135	4										Chain Guide to Cylinder Block Bolt	Up to Eng. No. 0033
27	A046W6014	4										Chain Guide to Cylinder Block Washer	Up to Eng. No. 0033
28	046E6396	2	2	2	2							Chain Guide	From Eng. No. 0034



Lotus Europa S1/S2 Parts Manual - Section EE - Engine - Cam and Valves - Page 4

Item	Lotus #	S1	S1A/B	S2	S2 Fed	TC	TC Fed	TCS	TCS F	LHD	RHD	Description	Change Point Notes Bulletin Reference
28	A046E6135	4	4	4	4							Chain Guide to Cylinder Block Bolt	
28	A046W6011	4	4	4	4							Chain Guide to Cylinder Block Washer	
29	046E6123	1	1	1	1							Timing Chain Tightener	
30	046E6122	1	1	1	1							Gauge	
30	A046W6015	2	2	2	2							Tightener to Cylinder Block Bolt	
30	A046W6016	2	2	2	2							Tightener to Cylinder Block Washer	
31	046E6371	1	1	1	1							Camshaft - or 054E6003	
31	054E6003	1	1	1	1							Camshaft - or 046E6371	
32	046E6133	1	1	1	1							Woodruff Key	
33	046E6121	1	1	1	1							Thrust Washer	
33	A046E6017	2	2	2	2							Camshaft Retaining Bolt	
33	A046W6014	2	2	2	2							Camshaft Retaining Washer	
34	046E6369	4	4	4	4							Inlet Valve Seat	
35	046E6370	4	4	4	4							Exhaust Valve Seat	
36	046E3162	4	4	4								Inlet Valve (697-04)	
36	A054E6021				4							Inlet Valve (821-30)	
37	046E6119	4	4	4								Exhaust Valve (697-04)	
37	A054E6020				4							Exhaust Valve (821-30)	