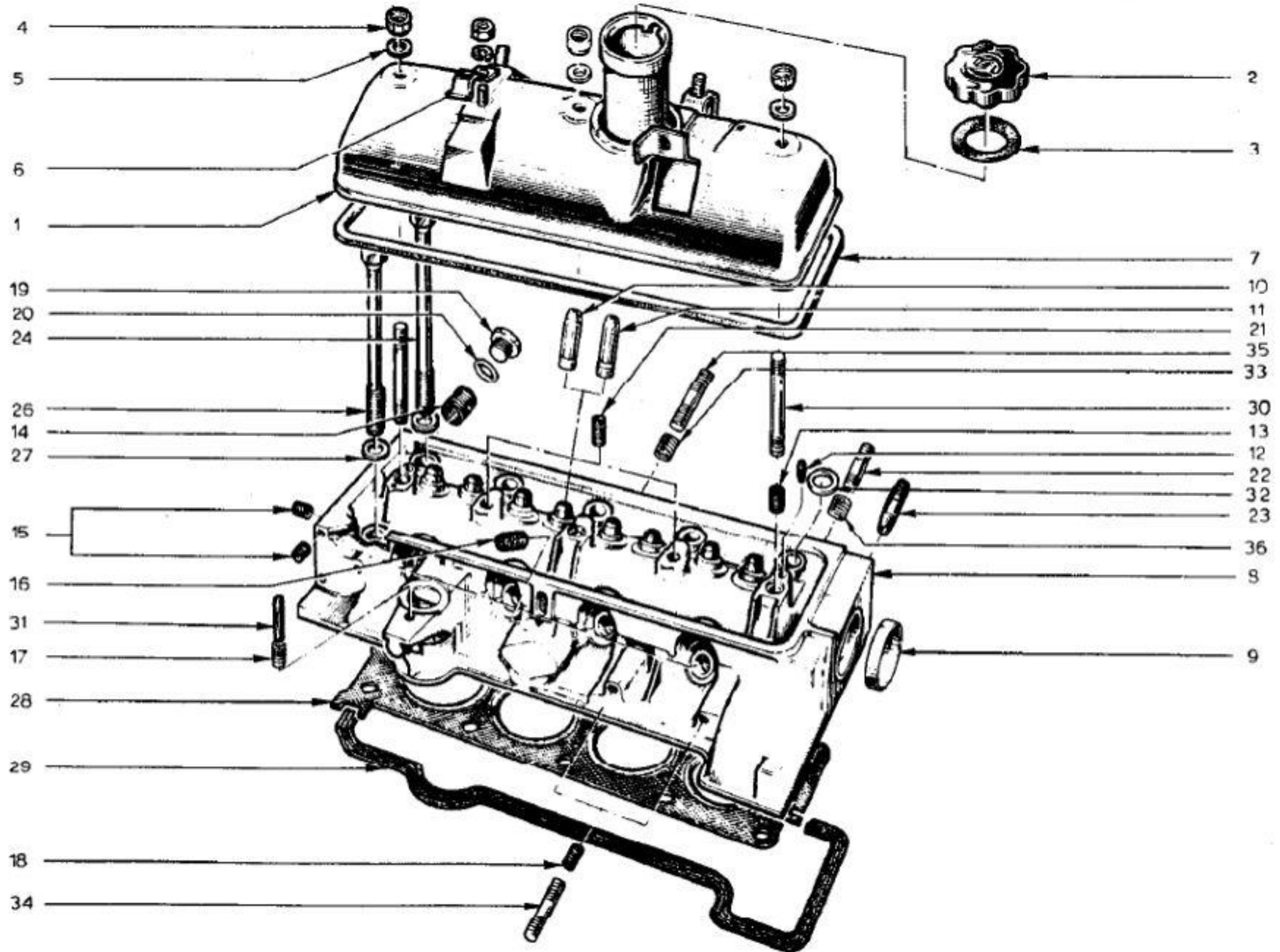


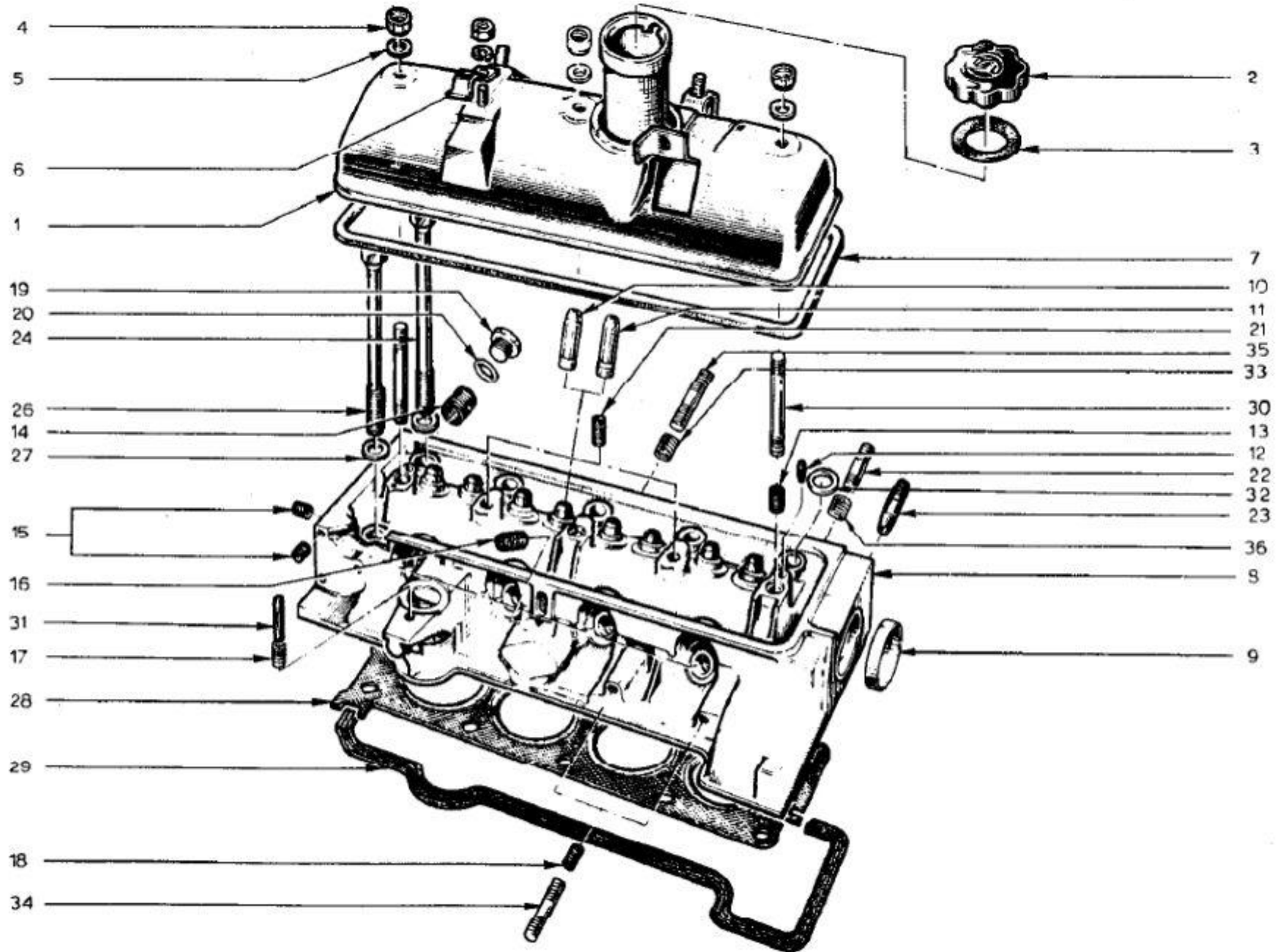
ED



Lotus Europa S1/S2 Parts Manual - Section ED - Engine - Cylinder Head - Page 2

Item	Lotus #	S1	S1A/B	S2	S2 Fed	TC	TC Fed	TCS	TCS F	LHD	RHD	Description	Change Point Notes Bulletin Reference
1	046E6079	1	1	1	1							Rocker Cover - or 046E6390	
1	046E6390	1	1	1	1							Rocker Cover - or 046E6079	
2	046E6090	1	1	1	1							Oil Filler Cap	
2	046E6091	1	1	1	1							Oil Filler Cap Seal Ring - or 046E6393	
3	046E6393	1	1	1	1							Oil Filler Cap Seal Ring - or 046E6091	
4	046E6076	3	3	3	3							Rocker Cover Nut	
5	046E6077	3	3	3	3							Rocker Cover Washer	
6	046E6078	1	1	1	1							Mounting Bracket	
7	046E6092	1	1	1	1							Rocker Cover Gasket	
8	046E6101	1	1									Cylinder Head (697-04) replaced by A046E6101 & 2 of 054E6010 Nut	From Eng. No. 0001 to Eng. No.
8	A046E6101			1								Cylinder Head (697-04)	From Eng. No.
8	A054E6019				1							Cylinder Head (821-30)	From Eng. No. 0001 to Eng. No. 0897
8	A054E6056				1							Cylinder Head (821-30)	From Eng. No. 0898
9	046E6102	1	1	1	1							Plug	
10	046E6093	8	8	8	8							13.10 mm Valve Guide - or 046E6094	
11	046E6094	8	8	8	8							13.25 mm Valve Guide - or 046E6093	
12	046E6098	2	2	2	2							Dowel Pin	
13	046E6097	4	4	4	4							Heli Coil Insert	
14	046E6083	1	1	1	1							Heli Coil Insert	
15	046E6085	10	10	10	10							Heli Coil Insert	
16	046E6086	4	4	4	4							Heli Coil Insert - or 046E6392	
16	046E6392	4	4	4	4							Heli Coil Insert - or 046E6086	
17	046E6087	1	1	1	1							Heli Coil Insert	
18	046E6087	2	2	2	2							Heli Coil Insert	
19	046E6080	1	1	1								Plug (697-04 only)	
19	A046E6080	1	1	1	1							Plug	
20	046E6050	2	2	2	2							Seal Ring	
21	046E6095	2	2	2	2							Heli Coil Insert	
22	046E6099	4	4	4	6							Stud	
22	046E6145	2	2	2								Bolt (697-04 only)	
23	046E6100	1	1	1								Connector (697-04)	Up to Eng. No. 1790
23	046E6100				1							Connector (821-30)	Up to Eng. No. 0411

ED



Lotus Europa S1/S2 Parts Manual - Section ED - Engine - Cylinder Head - Page 4

Item	Lotus #	S1	S1A/B	S2	S2 Fed	TC	TC Fed	TCS	TCS F	LHD	RHD	Description	Change Point Notes Bulletin Reference
23	A046E6100	1	1	1								Connector (697-04)	From Eng. No. 1791
23	A046E6100				1							Connector (821-30)	From Eng. No. 0412
24	046E6391	5	5	5	5							Cylinder Head Bolt (697-04)	Up to Eng. No. 0866
24	046E6391	4	4	4	4							Cylinder Head Bolt (697-04)	From Eng. No. 0867
24	046E6391				4							Cylinder Head Bolt (821-30)	
26	046E6081	5	5	5	5							Cylinder Head Bolt (697-04)	Up to Eng. No. 0866
26	046E6081	4	4	4	4							Cylinder Head Bolt (697-04)	From Eng. No. 0867
26	046E6081				4							Cylinder Head Bolt (821-30)	
27	046E6084	10	10	10								Cylinder Head Bolt Washer - (697-04)	Up to Eng. No. 0565
27	046E6084	8	8	8								Cylinder Head Bolt Washer - (697-04)	From Eng. No. 0566 to 0866
27	046E6084	9	9	9								Cylinder Head Bolt Washer - (697-04)	From Eng. No. 0867
27	046E6084				9							Cylinder Head Bolt Washer - (821-30)	
28	046E6088	1	1	1								Cylinder Head Gasket (697-04)	
28/29	054E6006				1							Cylinder Head Gasket (821-30)	Up to Eng. No.
28/29	A054E6057				1							Cylinder Head Gasket (821-30)	From Eng. No.
29	A046E6089	1	1	1	1							Joint Cylinder Head (697-04)	Up to Eng. No. 0052
29	046E6089	1	1	1	1							Joint Cylinder Head (697-04)	From Eng. No. 0053
30	046E6082	3	3	3	3							Cam Support Pillar Stud	
31	A046W6018	1	1	1	1							Distributor to Cylinder Head Stud	
32	046E6395		2	2								Washer (697-04)	From Eng. No. 0566 to 0866
32	046E6395			1								Washer (697-04)	From Eng. No. 0867
32	046E6395				1							Washer (821-30)	
33	A046E6495	2	2	2								Helicoil (697-04)	From Eng. No. 0577
33	A046E6495				2							Helicoil (821-30)	From Eng No. 0001
34	A046E6496	1	1	1	1							Stud	
35	A046E6497	2	2	2	2							Stud (697-04)	
35	A046E6497				2							Stud (821-30)	
36	046E6097	2	2	2								Helicoil (697-04)	From Eng. No. 0556
36	046E6097				2							Helicoil (821-30)	From Eng. No. 0001
	046E3680	1	1	1								De-Carb Gasket Set	
	054E6004				1							De-Carb Gasket Set	To Engine No. ?
	A054E6004				1							De-Carb Gasket Set	From Engine No. ?