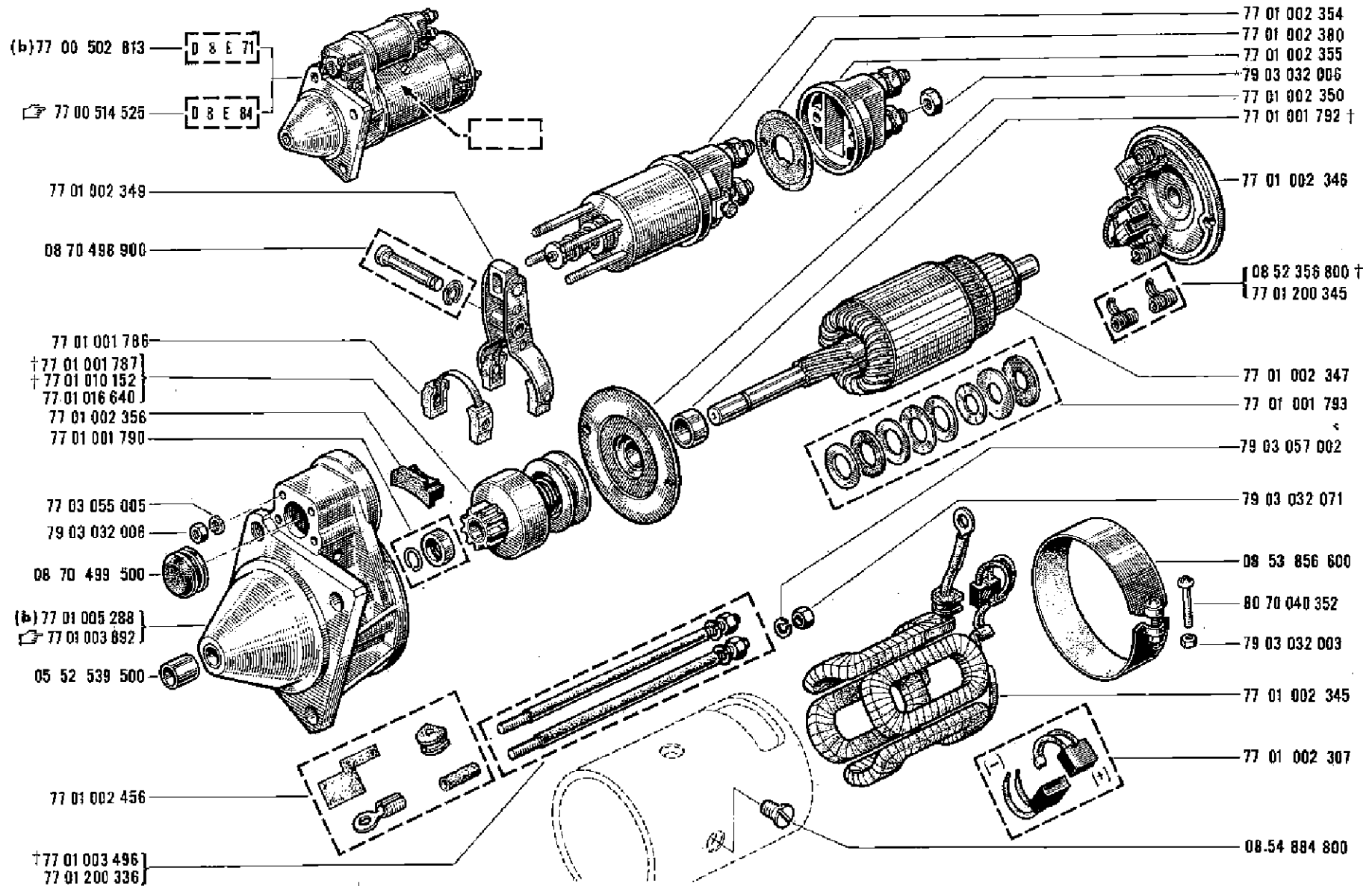
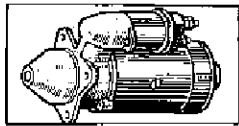


(a)

18.30

F P.R. 877



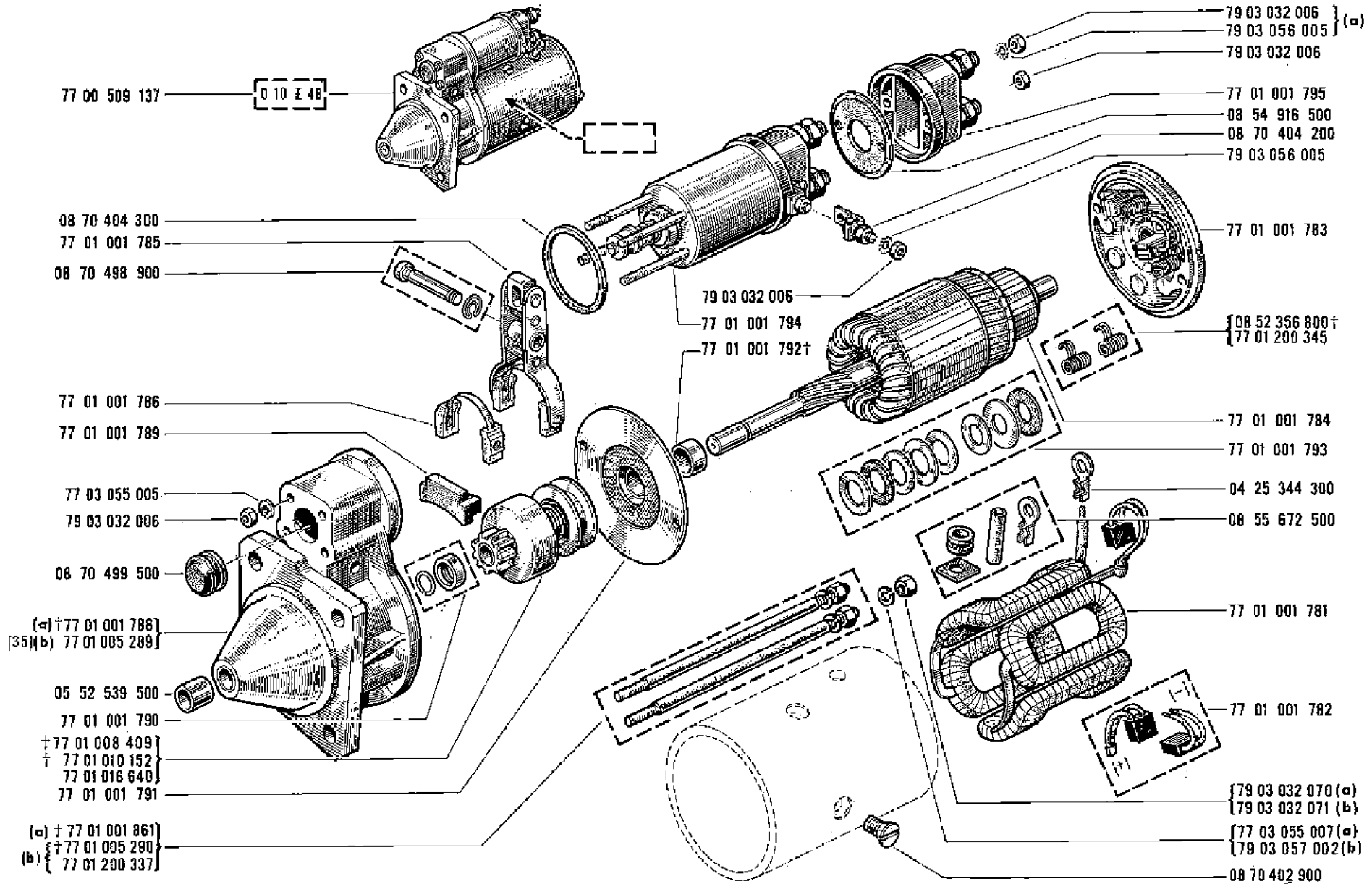
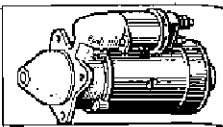
(a)	R 1152	100/101/102/103/120/121/122/123/160/162/166/210/211/220/222/230/232/260/261 262/263/266/267/510/511/512/513/515/516/517/531/560/561/562/563/566/600/601 602/660/663/710/760/761/810/811/812/816/817/821/860/861
	R 1153	100/101/102/103/120/121/122/123/160/162/166/207/210/211/220/222/230/232/250 260/261/282/283/286/287/510/511/512/513/515/516/517/531/550/560/561/562/563 566/600/601/602/660/700/702/760/761/810/811/812/816/817/821/860/861

(b)	R 1152	100/101/102/103/120/121/122/123/160/162/166/210/211/220/222/230/232/260 261/262/263/266/267/510/511/512/513/515/516/517/531/560/561/562/563/566
	R 1153	100/101/102/103/120/121/122/123/160/162/166/207/210/211/220/222 230/232/250/266/261/282/283/286/287/510/511/512/513/515/516/517 531/550/560/561/562/563/566

R.1152 /141/142/143/144/145/146/240/241/245/246/250/550
 R.1153 /141/142/144/145/146/240/241/245/246

18.32

F P.R.877



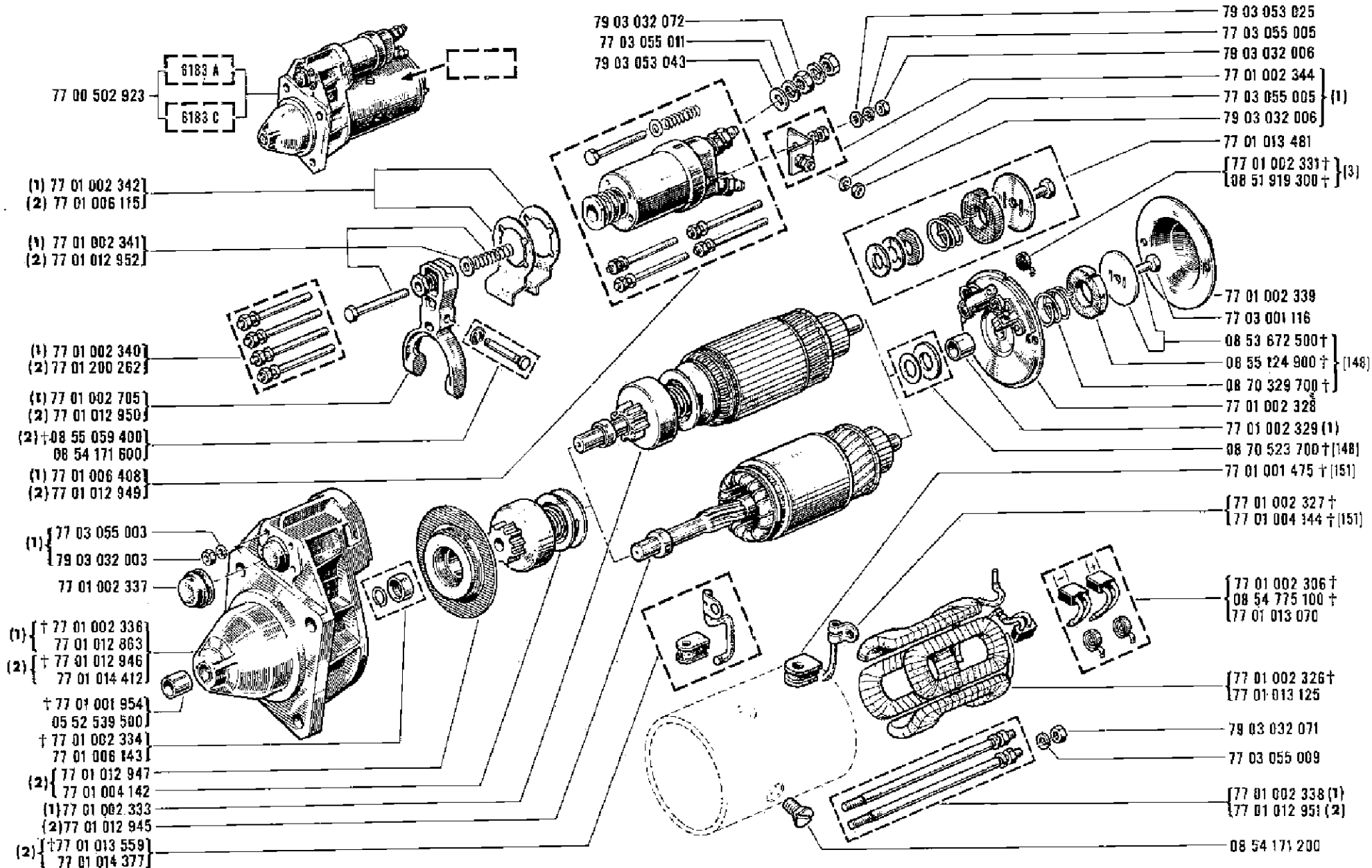
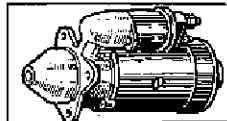
(a) R 1152 VEH n° 1 ⇨ VEH n° 2400
 R 1152 VEH n° 2401 ⇨ VEH n° ...
 (b) R 1153

[35] R 1152 VEH n° 1 ⇨ VEH n° 2400
 77 01 200 337 -1-

(a)

18.34

F P.R.877



R 1152	/	100/101/102/103/120/121/122/123/160/162/166/210/211/220/222/236/232/260/261/262
(a)	/	263/266/267/510/511/512/513/515/516/517/531/560/561/562/563/566
R 1153	/	100/101/102/103/120/121/122/123/160/162/166/207/210/211/220/222/230/232/250
	/	260/261/262/263/266/267/510/511/512/513/515/516/517/531/550/560/561/562/563/566

- (1) 6183 A
- (2) 6183 C

- (3) 77 01 013 070 -1-
- (148) 77 01 013 481 -1-
- (151) 77 01 014 377 -1-