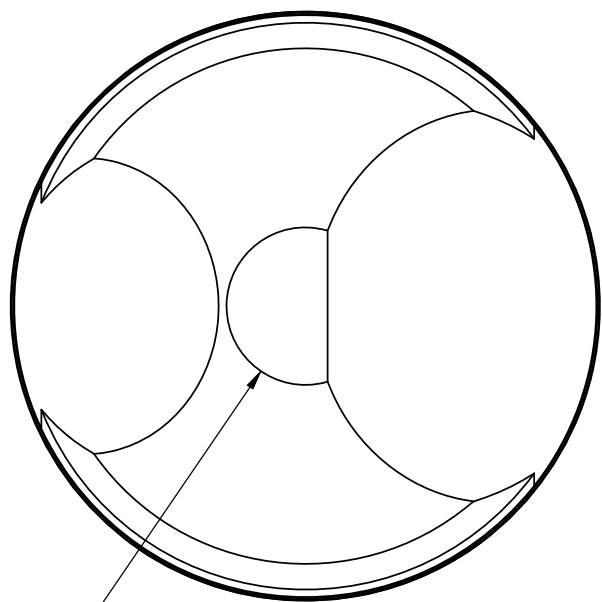
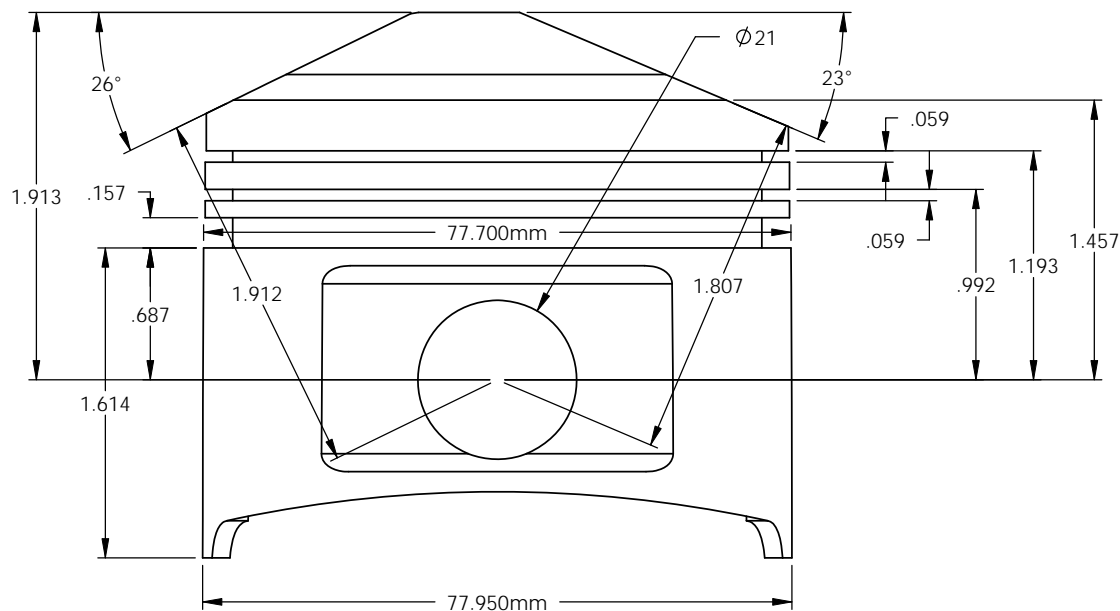
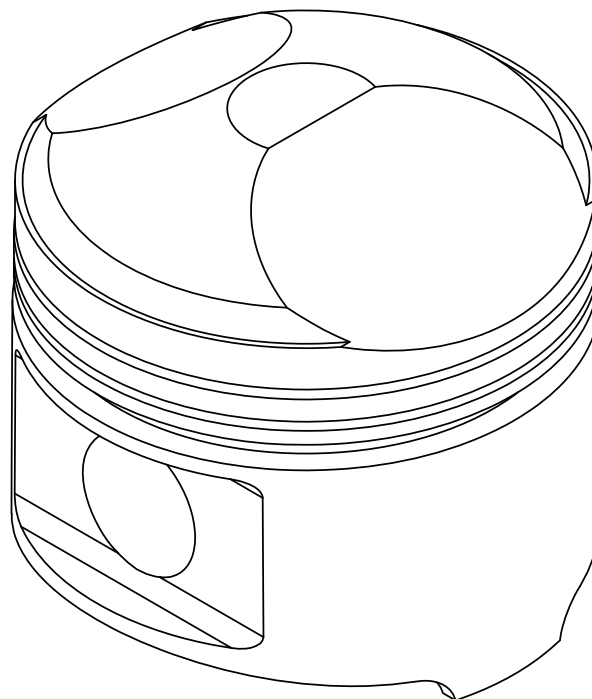


PISTON 78mm MADE BY JE PISTON BASED ON RENAULT SPORT (BASED ON WHAT THE SELLER TOLD ME, JE DID THE PISTON ACCORDING TO THE SEELER SPECIFICATION)  
 NOT RECOMMENDED, IF TOO MUCH TAPER FOR THERMAL EXPANSION, PREMATURE WEAR  
 OF THE CYLINDER CAN RESULT, TEH RATIO BETWEEN THE SKIRT AND DIAMETER IS NOT OPTIMAL

I STILL HAVE THE PISTON BECAUSE THEY LOOK GREATM I WILL NEVER INSTALL IT AGAIN, OR SELL IT  
 JUST TOO BAD



R.410



R2.723

