



Lotus Service Bulletin

CLASS: 111
NUMBER: 1972/013
TYPE: Europa Twin Cam
Date: 07.08.1972

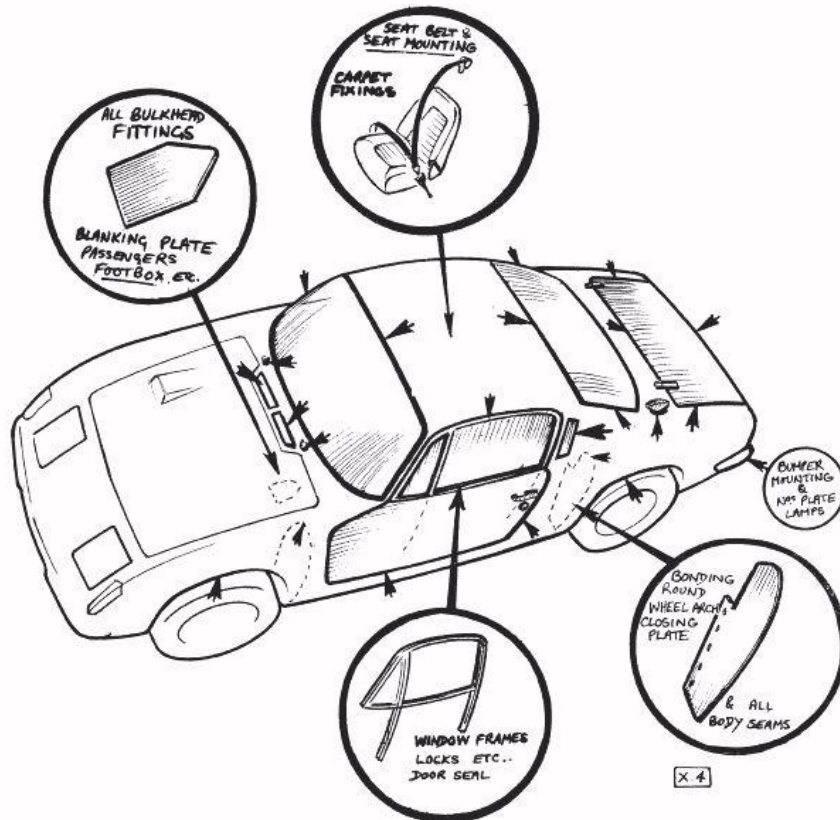
LOTUS CARS Ltd - NORWICH NORFOLK NOR92W - Tel: WYMONDHAM 3411 - CABLES LOTUS NORWICH TELEX 97401

Circulation List	Service Manager		Foreman			
------------------	-----------------	--	---------	--	--	--

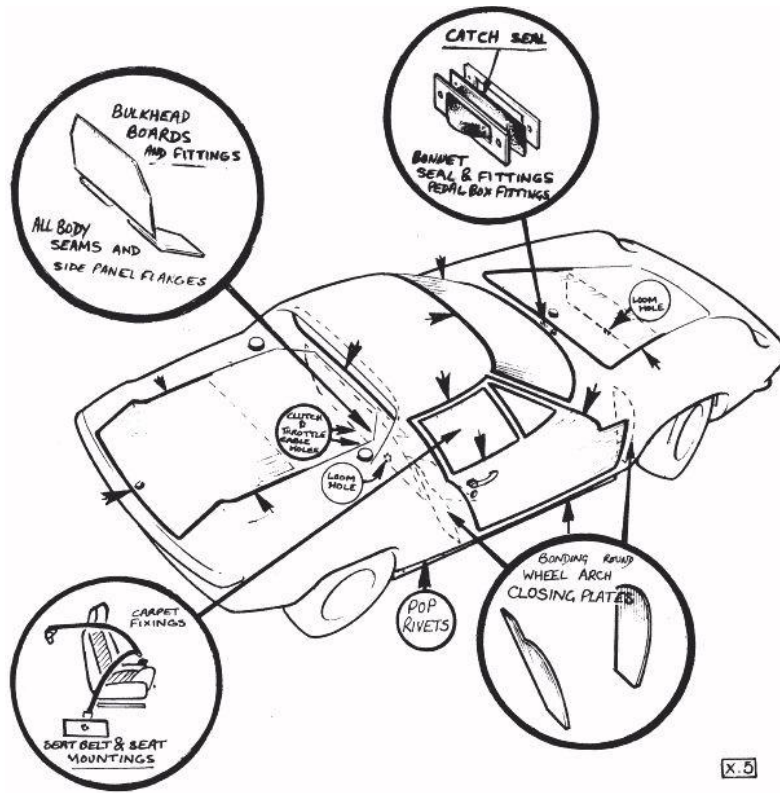
Title: Weatherproofing.

Reason: To advise Service Personnel of where water leaks may occur and showing the points which we check in Production before a car is delivered.

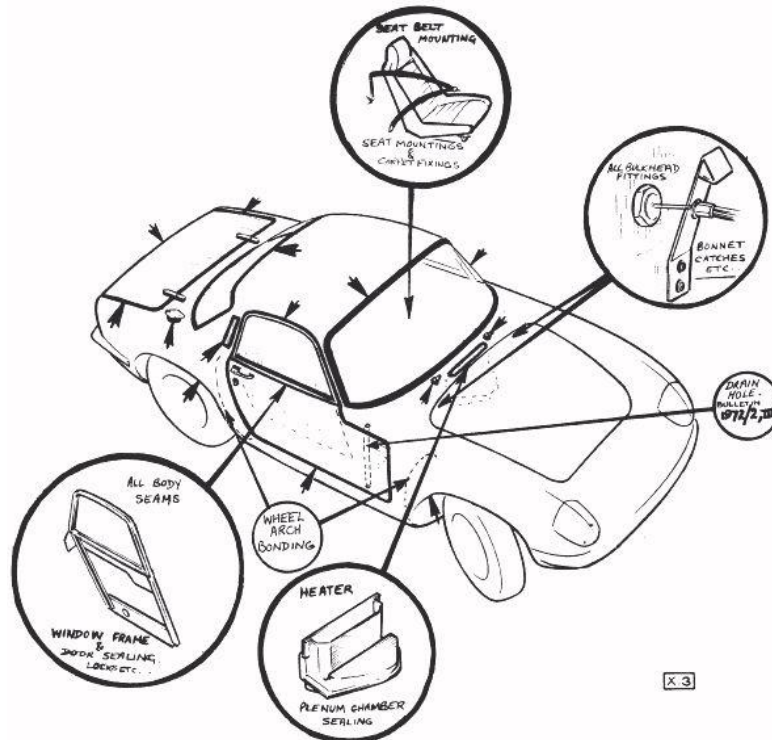
Action: From the enclosed sketches, it can be seen immediately where water leaks may occur (or recur), and it is suggested that where complaints are received of this nature, the appropriate sketch be studied and the necessary rectification action taken. It should be noted, that the majority of these points are covered in Section 'B' (Body) of the Workshop Manual, as are the recommended sealants to be used.



WATERLEAK CHECK POINTS - ELAN+2



WATERLEAK CHECK POINTS - EUROPA



WATERLEAK CHECK POINTS - ELAN